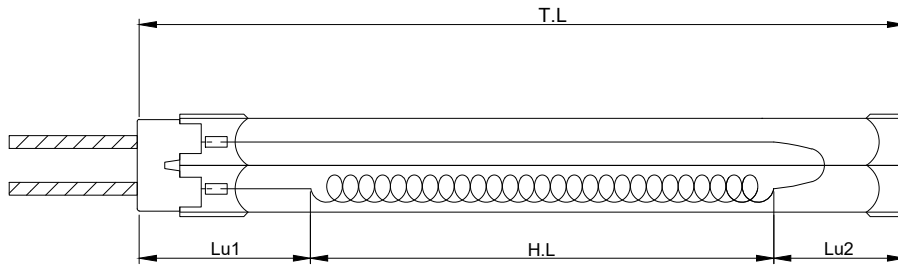


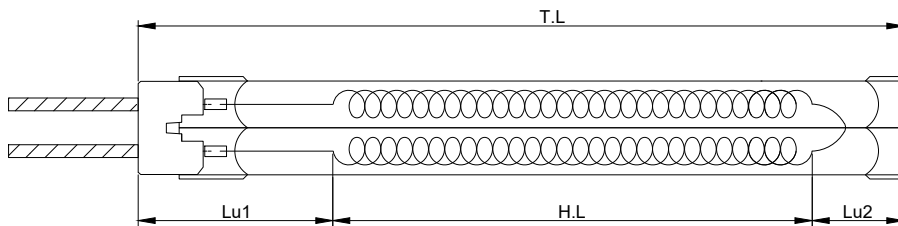
Twin Tube Infrared Lamps

Short Wave
 Fast Medium Wave
 Medium Wave

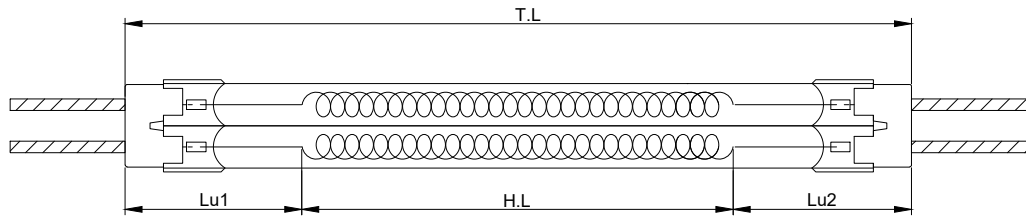
TYPE A



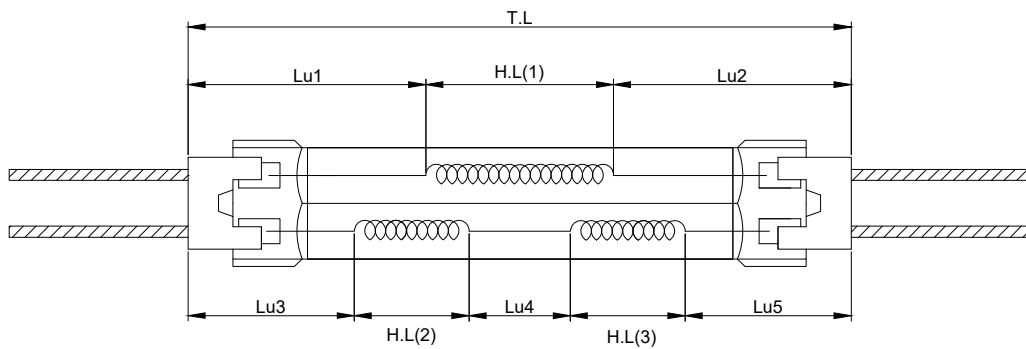
TYPE B



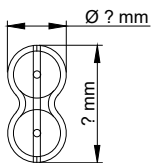
TYPE C



TYPE H



T.L		Length of lead wire	MM
H.L		Reflector	<input type="checkbox"/> Clear <input type="checkbox"/> Gold <input type="checkbox"/> Ceramic
Lu1/Lu2		Material of lead wire	<input type="checkbox"/> PTFE <input type="checkbox"/> Glass fiber
V			<input type="checkbox"/> Others _____
W			



- 8X17
- 11X23
- 15X33